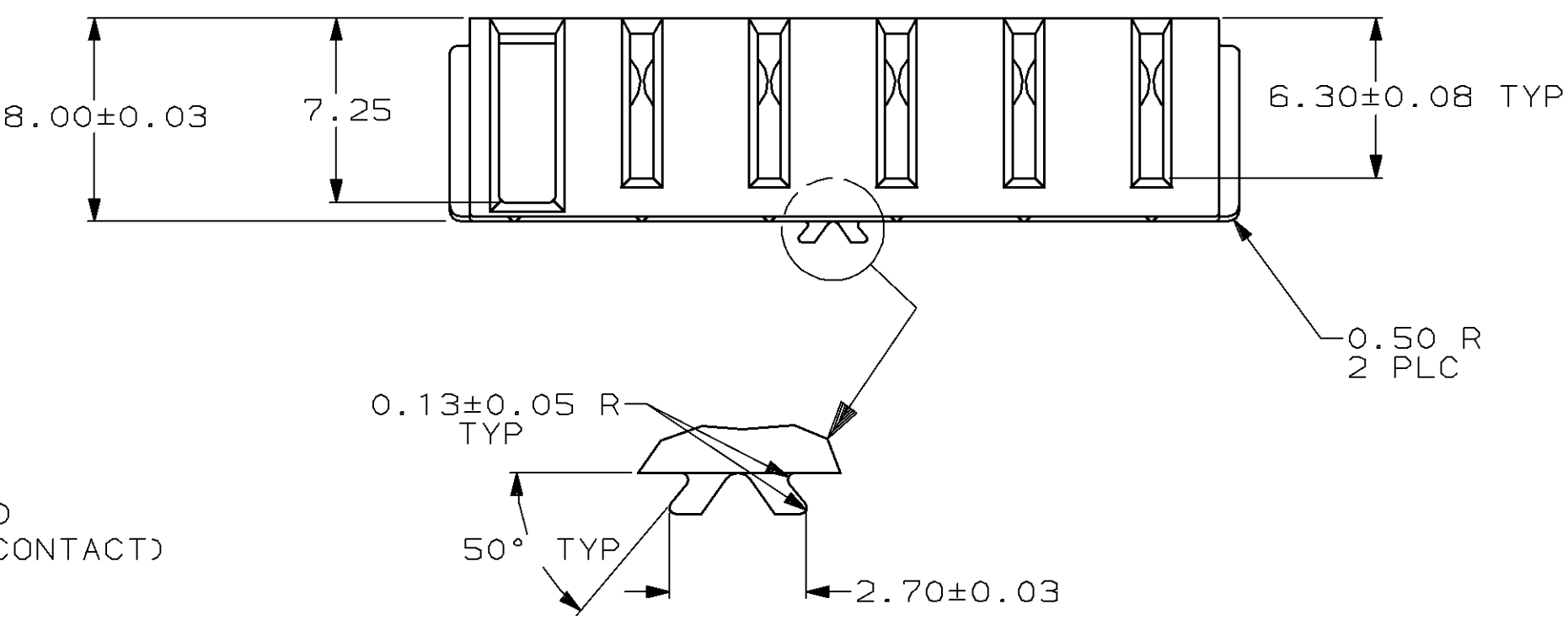
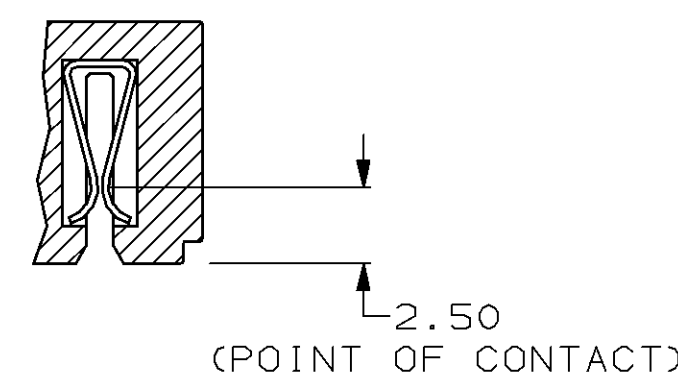
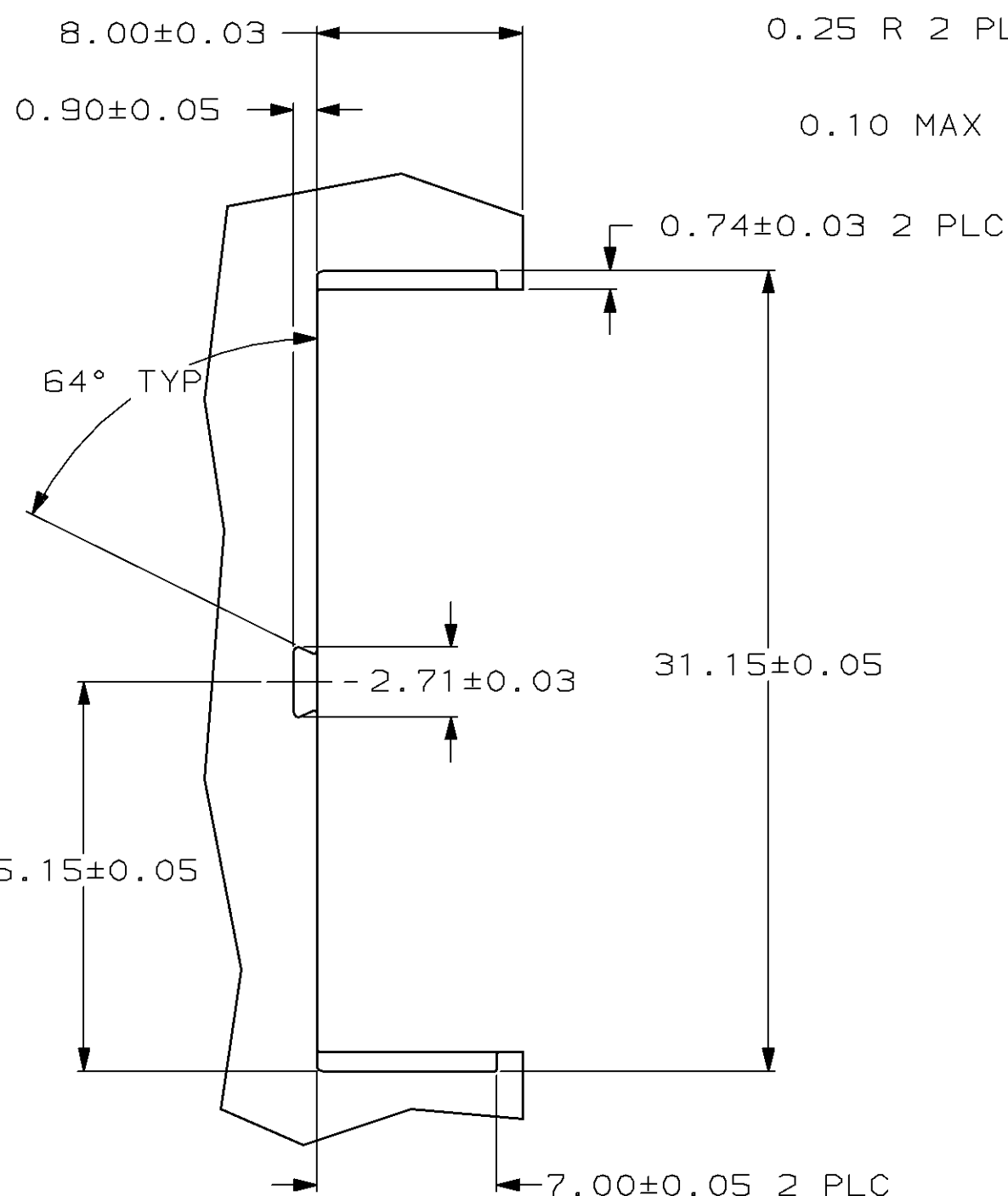
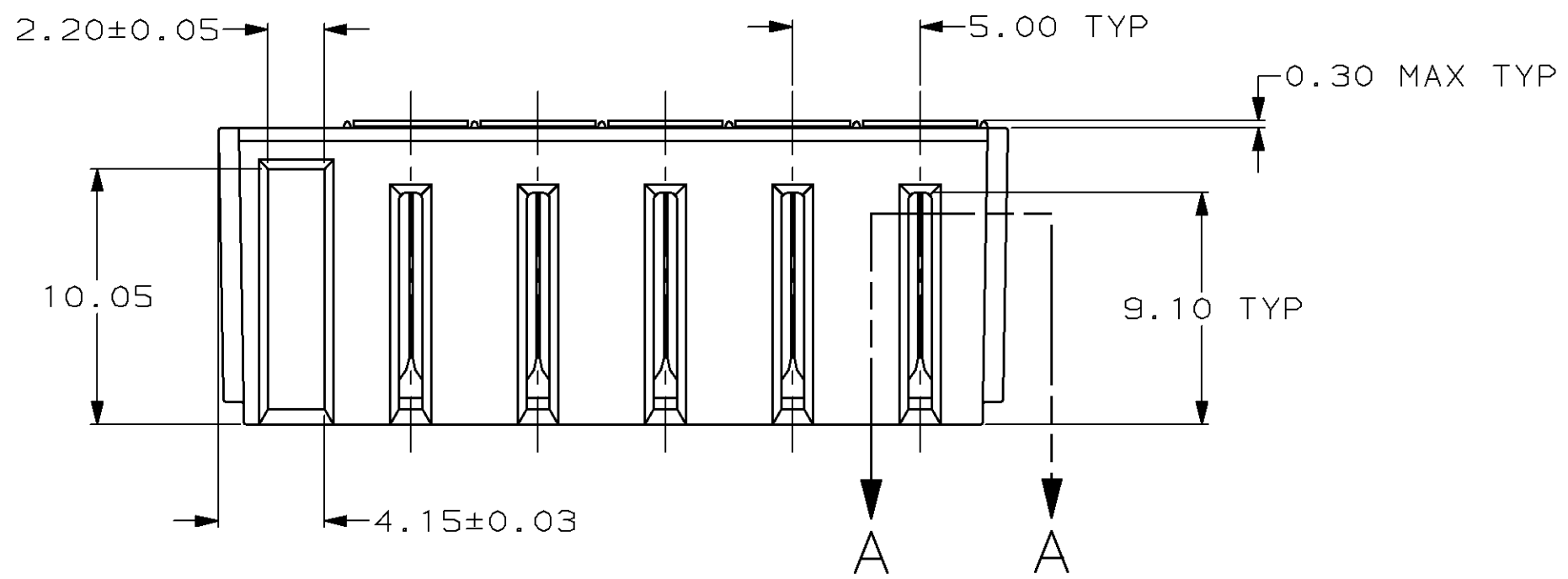
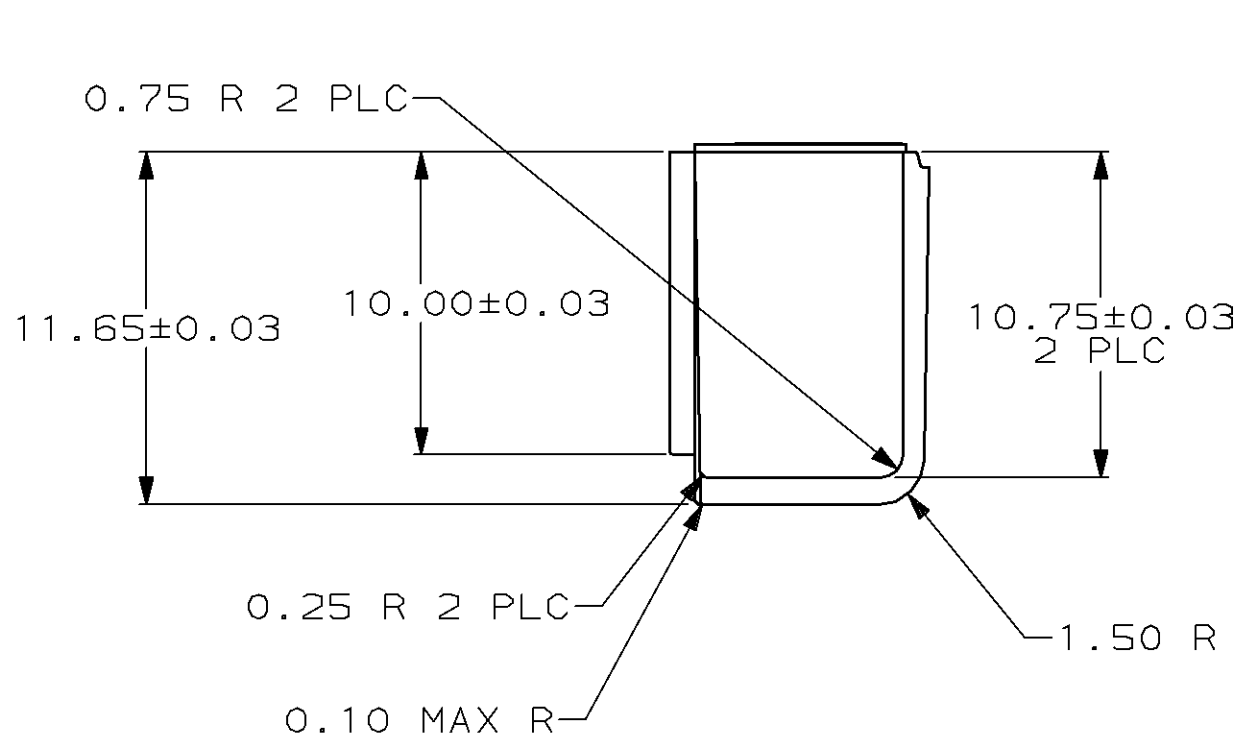
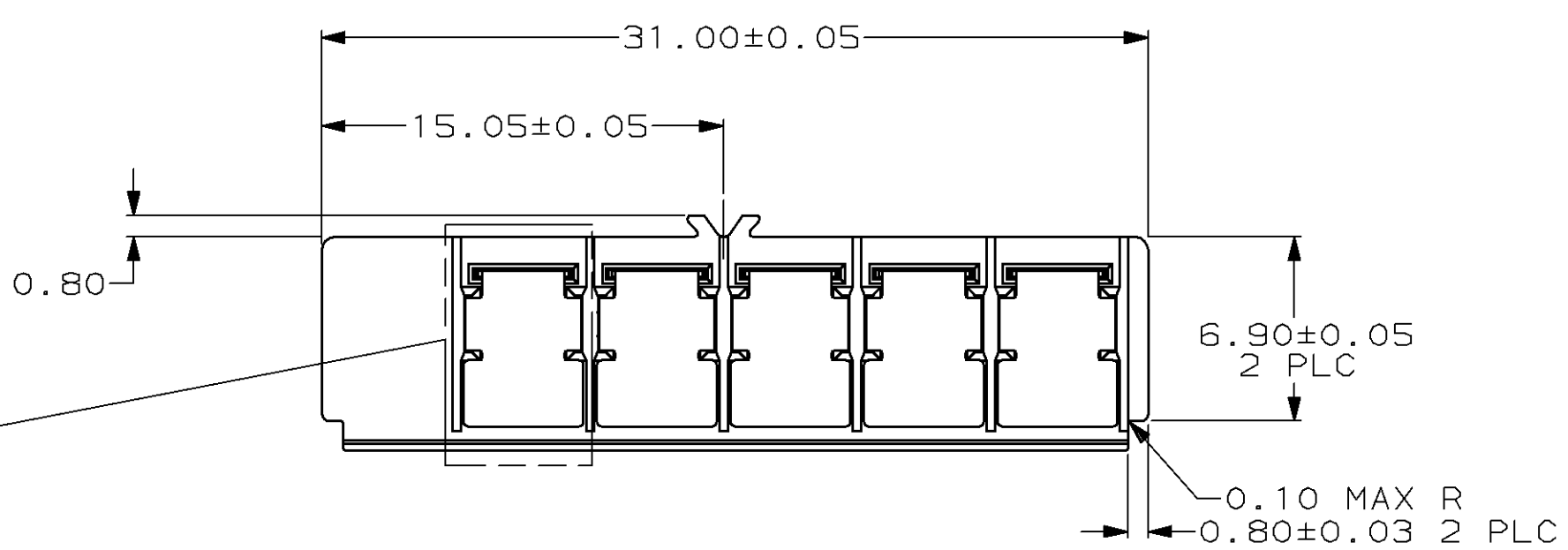
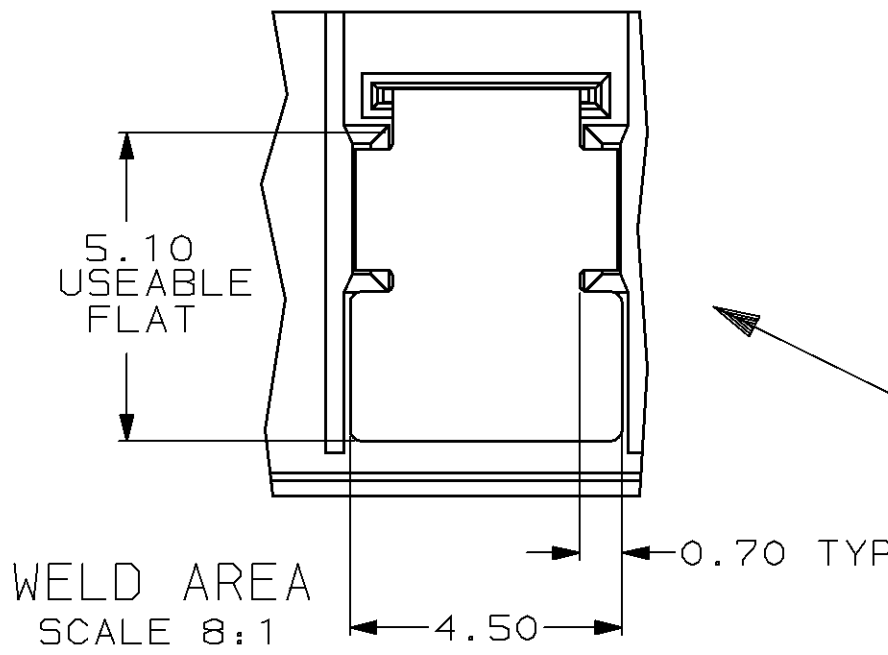


| LOC | | DIST | | ZONE | | LTR | | REVISIONS | | DATE | APPD |
|-----|----|------|--|------|--|-----|--|-----------|--|----------|------|
| BD | 39 | | | | | | | 0 | RLSE -1 PER NPR 5235, WAS 93-1878-145-1 | 11/15/94 | SK |



787328-1
PART NO

| | | |
|--|---|---|
| DO NOT SCALE PRINT. UNLESS SPECIFIED DIMENSIONS IN mm TOLERANCES ON : 2 PLC DEC ±0.10 3 PLC DEC ± - ANGLES ± 2° | DR 12-08-93 G.DOUTY | AMP Incorporated Harrisburg, PA 17105-3608 |
| MATERIAL HOUSING: POLYCARBONATE COLOR: BLACK CONTACTS: COPPER ALLOY | CHK 11-16-94 R.S.KLINE APPD 11-16-94 R.S.KLINE APPD 11-16-94 R.S.KLINE PRODUCT SPEC - | |
| FINISH CONTACTS: PRE-NICKEL | APPLICATION SPEC - | SIZE C 00779 |
| | WEIGHT - | DRAWING NO C=787328 |

| | | |
|-----------|-----------------|---------------------|
| SCALE 4:1 | CAGE CODE 00779 | DRAWING NO C=787328 |
| | | SHEET 1 OF 1 |

THIS DRAWING IS A CONTROLLED DOCUMENT FOR AMP INCORPORATED. IT IS SUBJECT TO CHANGE AND THE CONTROLLING ENGINEERING ORGANIZATION SHOULD BE CONTACTED FOR THE LATEST REVISION.